

TXgard-Plus

Flameproof Toxic and Oxygen Gas Detector

with Non-intrusive One-man Calibration

Plus

Installation, operating and maintenance instructions, MO7194, Issue 4: 9/2011

UK Office
Crowcon Detection Instruments Ltd
2 Blacklands Way
Abingdon Business Park
Abingdon
Oxfordshire OX14 1DY, UK
Tel: +44 (0)1235 557700
Fax: +44 (0)1235 557749
Email: sales@crowcon.com
Web site: www.crowcon.com

Rotterdam Office
Crowcon Detection Instruments Ltd
Vlamboerweg 129
3068JG, Rotterdam, Netherlands
Tel: +31 10 421 1232
Fax: +31 10 421 0542
Email: eu@crowcon.com
Web site: www.crowcon.com

USA Office
Crowcon Detection Instruments Ltd
21 Kenton Lands Road,
Erlanger,
Kentucky 41018-1845 USA
Tel: +1 800 527 6926 or
+1 800-5-CROWCON
+1 859 957 1039
+1 859 957 1044
Fax: +1 859 957 1044
Email: salesusa@crowcon.com
Web site: www.crowcon.com

Singapore Office
Crowcon Detection Instruments Ltd
Block 194 Pandan Loop
#06-20 PanTech Industrial Complex
Singapore 128383
Tel: +65 6745 2936
Fax: +65 6745 0467
Email: sales@crowcon.com.sg
Web site: www.crowcon.com



1. INTRODUCTION

1.1 Product overview

TXgard-Plus is a flameproof toxic and oxygen gas detector suitable for use in zone 1 or 2 hazardous areas. It is designed to detect toxic gases and oxygen using a range of electrochemical sensors. A local display and magnetically operated switches allow non-intrusive one-man calibration without a hot work permit. Powered by 24 V dc (nominally) TXgard-Plus provides a 4-20 mA signal (sink or source) proportional to the gas concentration and can also be fitted with optional alarm and fault relays. For a list of gases that can be detected, please contact Crowcon.

1.2 Product description

TXgard-Plus comprises four parts; 96HD sensor housing, junction box, amplifier and terminal board. Diagram 1 details TXgard-Plus. The overall assembly is certified EEx d IIC T6 in Europe and Class 1, Zones 1&2 AEx d IIC T6 in the USA.

The 96HD sensor housing is a modular stainless steel assembly that dismantles to allow plug in sensors to be replaced easily (see Diagram 4). The assembly screws into an M20 entry on the junction box.

The junction box is manufactured from marine grade alloy and is supplied with 2 x M20 (1/2" NPT for USA) cable entries for customer use. Alternative cable entries are available from Crowcon.

The amplifier plugs into the terminal board, and is held in place by two captive screws. The amplifier provides power to the sensor, local display and controls, and a 4-20 mA signal proportional to the gas concentration for connection to a control panel. To remove, turn screws anti-clockwise and use them to pull amplifier out of the enclosure.

All electrical connections are made via the terminal board mounted in the base of the junction box (see Diagram 2). Optional alarm relays (AL1 & AL2) and one fault relay (FAULT) are mounted on the terminal board which may be used to drive local warning devices or connect TXgard-Plus to a control panel.

1.3 Status Indication

TXgard-Plus includes a local display and status LED, visible through the junction box window, see Diagram 1. The display shows the gas concentration and current mode of operation ie. NORMAL, ZERO or CAL. The LED shows the current alarm state of the detector. This is summarised in Table 1.

Operational state	LED indication	Relay states*	Comment*
Normal operation	Steady green	AL1 - Off AL2 - Off FAULT - On	Gas level < AL1 Current output = 4-20 mA
Normal operation (Alarm 1)	Steady red	AL1 - On AL2 - Off FAULT - On	Gas level > AL1 < AL2 Current output = 4-20 mA
Normal operation (Alarm 2)	Flashing red	AL1 - On AL2 - On FAULT - On	Gas level > AL2 Current output = 4-20 mA
Over-range	Flashing red	AL1 - On AL2 - On FAULT - On	Gas level > full scale Display backlight flashes Current output = 24 mA
Zero/calibration mode	Flashing green	Configuration dependent (see section 2)	Latched until reset via 'MENU' Current output = 2 mA (4 mA option)
Detector fault	Steady amber	AL1 - Off AL2 - Off FAULT - Off	Current output = 0 mA

*See section 2 for AL1 and AL2 standard settings

■ = RELAY VERSION ONLY

Table 1: LED status indicator summary.

1

2

2. DETECTOR CONFIGURATION

2.1 Standard configuration

As standard, TXgard-Plus is factory set as follows:

Current source with	0 mA = Fault 2 mA = Inhibit ie. Zero/Cal mode 4-20 mA = Normal operation 24 mA = Over-range clamp
AL1 relay (if fitted)	<ul style="list-style-type: none"> Alarm level 1, see Table 3 Normally de-energised, energising on alarm Contact normally open (NO), closing on alarm
AL2 relay (if fitted)	<ul style="list-style-type: none"> Alarm level 2, see Table 3 Normally de-energised, energising on alarm Contact normally open (NO), closing on alarm
FAULT relay (if fitted)	<ul style="list-style-type: none"> Normally energised, de-energised on fault Contact normally closed (NC), opening on fault
Alarm/fault relays automatically reset when alarm or fault has cleared.	
INHIBIT	<ul style="list-style-type: none"> Normally selected, ie. when CAL/ZERO selected current output is forced to 2mA and relays are held in normal/no alarm state.

Table 2: Standard configuration for TXgard-Plus.

5

Table 3 details standard alarm points for the available gases and ranges.

Gas	Range*	AL1*	AL2*
Hydrogen sulphide	0-25 ppm	5 ppm	10 ppm
Carbon monoxide	0-250 ppm	30 ppm	200 ppm
Ammonia	0-50 ppm	25 ppm	35 ppm
Oxygen	0-25% vv	19% vv	17% vv

*Alternative ranges and alarm set points must be specified when ordering

Table 3: Standard ranges and alarm set points.

Location of links are shown in Diagram 2.

2.2 4-20mA options

To change current source output to sink, set switch to 'SK' position. To change Inhibit from 2 mA to 4 mA, fit link to '4' position.

2.3 Relay options

To change AL1 or AL2 relay from NO to NC, fit link in the 'NC' position. To change FAULT relay from NC to NO, fit link in the "NO" position.

2.4 Inhibit options

To not inhibit 4-20 mA signal and relays, fit link to 'N' and link to '4'.

6

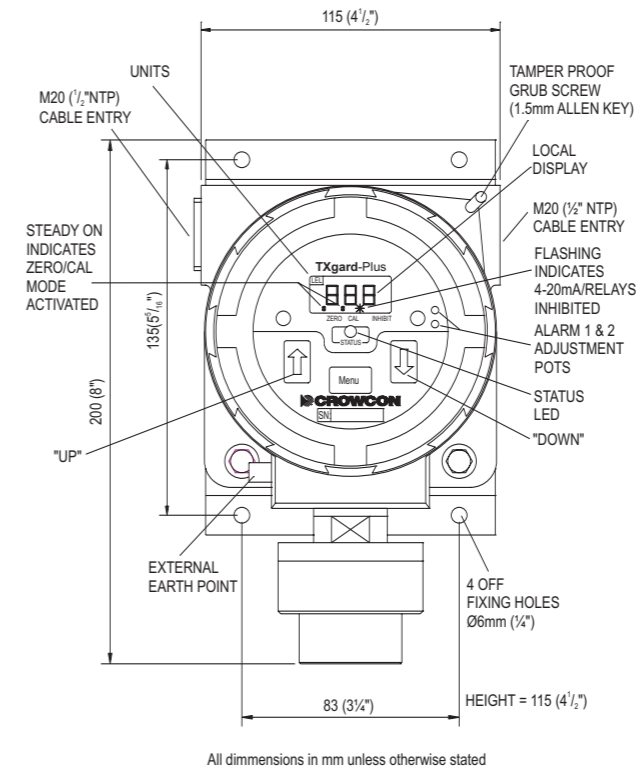


Diagram 1: TXgard Plus general arrangement

3

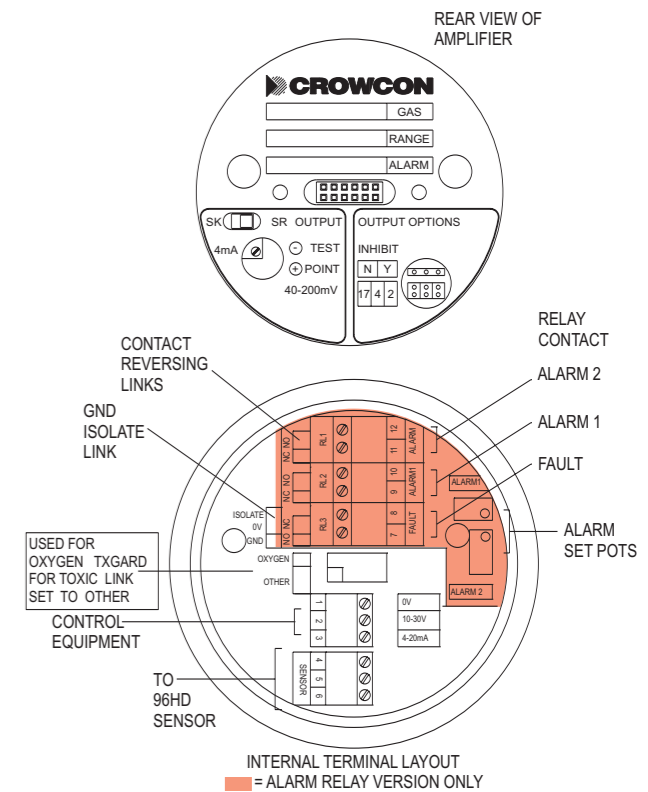


Diagram 2: Terminal and amplifier layouts

4

3. INSTALLATION

WARNING

TXgard-Plus is designed for use in Zone 1 and 2 hazardous areas and is certified EEx d IIC T6 (AEx d IIC T6 in USA). Installation must be in accordance with the recognised standards of the appropriate authority in the country concerned. For more information contact Crowcon. Prior to carrying out any work ensure local regulations and site procedures are followed.

3.1 Location

There are no rules which dictate the siting and location of detectors, however, considerable guidance is available from BS EN 50073:1999 'British Standard Code of Practice for the Selection, Installation, Use and Maintenance of Apparatus for the Detection and Measurement of Combustible Gases or Oxygen.' In the USA refer to the National Electrical Code (NEC 1999). Similar international codes of practice may be used where applicable. In addition certain regulatory bodies publish specifications giving minimum gas detection requirements for specific applications.

The detector should be mounted where the gas is most likely to be present. The following points should be noted when locating gas detectors:

- To detect gases which are lighter than air (eg ammonia), detectors should be mounted at high level and Crowcon recommend the use of a collector cone (Part No. C01051).
- To detect heavier than air gases (eg hydrogen sulphide), detectors should be mounted at low level.
- When locating detectors consider the possible damage caused by natural events e.g. rain or flooding. For detectors mounted outdoors Crowcon recommend the use of a Weatherproof Cap (Part No. C01442).
- Consider ease of access for functional testing and servicing.
- Consider how the escaping gas may behave due to natural or forced air currents. Mount detectors in ventilation ducts if appropriate.

7

- Consider the process conditions. Ammonia, for instance is normally lighter than air, but if released from a process line which is cooled and/or under pressure the gas may fall rather than rise.

Detector placement should be determined following advice of experts having specialist knowledge of gas dispersion, the plant processing equipment as well as safety and engineering issues. **The agreement reached on the locations of sensors should be recorded.** Crowcon would be pleased to assist in the selection and siting of gas detectors.

3.2 Mounting

The mounting detail of TXgard-Plus is given in Diagram 1. TXgard-Plus should be installed at the designated location with the detector pointing down. This ensures that dust or water will not collect on the sinter and stop gas entering the detector.

3.3 Cabling requirement

Cabling to TXgard-Plus must be in accordance with the recognised standards of the appropriate authority in the country concerned and meet the electrical requirements of the detector. Crowcon recommend the use of steel wire armoured (SWA) cable and suitable explosion proof glands must be used. Alternative cabling techniques, such as steel conduit, may be acceptable provided appropriate standards are met.

TXgard-Plus requires a dc supply of 12-30 V at up to 100 mA. Ensure the minimum dc supply of 12 V is observed at the detector, taking into account the voltage drop due to cable resistance.

For example, a nominal dc supply at the control panel of 24 V has a guaranteed minimum supply of 20V. The maximum voltage drop allowed is therefore 8V. TXgard-Plus can demand up to 100 mA and so the maximum loop resistance allowed is 80 Ohms. A 1.0 mm² cable will typically allow cable runs up to 2000m. Table 4 shows maximum cable distances given typical cable parameters.

8

3. INSTALLATION (continued)

CSA	Resistance (Ohms per km)	Cable Loop	Max. distance
1.5 (15)	12.1	24.2	1500 (4920)
1.0 (17)	18.1	36.2	1000 (3280)
m ² (awg)	Cable		
m (ft)			

Table 4: Maximum cable distances for typical cables

Acceptable cross sectional area of cable is 0.5 to 1.5 mm². Table 2 provides guidance only, actual cable parameters for each application should be used to calculate maximum cable distances.

3.4 Electrical connections

All connections are made via the terminal board mounted in the base of the junction box (see Diagram 2). The 3 wires from the 96HD are coded terminal (terminals 4, 5 & 6). Terminals 1 (0 Vdc), 2 (12-30 Vdc) and 3 (4-20mA signal) are connected to the control equipment. Flamingard Plus is factory set as a 4-20 mA source device unless specified otherwise when ordering (see Section 2 to change configuration). Diagram 3 summarises the electrical connections.

Note: The junction box and cable armour must be earthed at the detector or control panel to limit the effect of radio frequency interference and to maintain electrical safety.

Note: The junction box for the Flamingard Plus is manufactured from marine-grade alloy, and has a powder-coated finish. Care should be taken during installation to protect the painted finish, as use in saline environments could result in paint flaking off from damaged junction boxes. This in no way compromises the performance of the detector, as the marine-grade alloy junction box is approved for use in offshore environments.

4. OPERATION (continued)

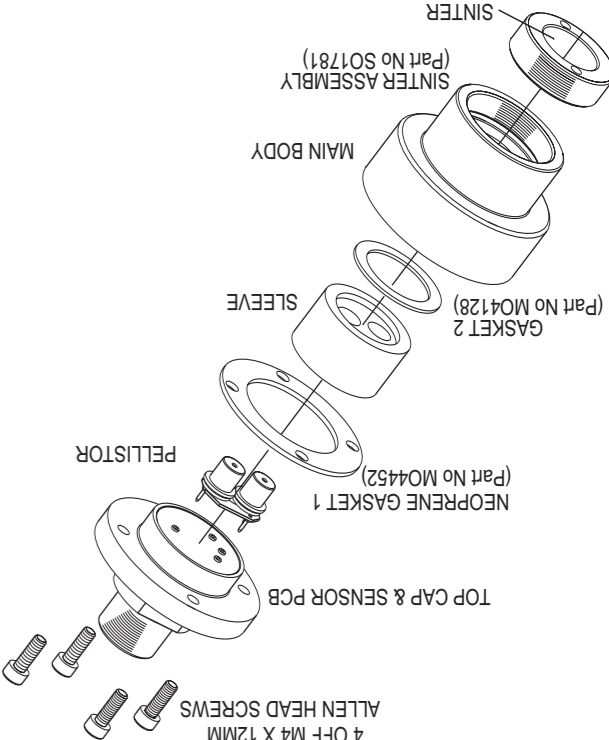
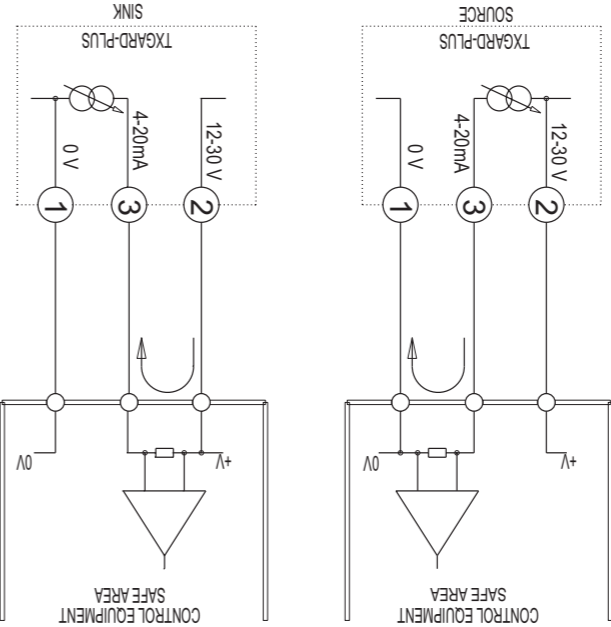


Diagram 4: 96HD assembly

All electrical connections to the optional relays are made via the 6-way terminal block on the terminal board in the base of the junction box (see Diagram 2). The relay contacts are rated 1 A @ 30 Vdc.

Diagram 3: Electrical connections to Txgard-Plus



Re-assemble the 96HD housing taking time to ensure that the 3 mm Allen head screws are securely fixed into position.

Fit the 96HD sensor housing to the junction box ensuring that the colour coded wires are terminated correctly.

Replace amplifier ensuring the captive screws are fastened securely. Switch on power.

Close the junction box remembering to fasten the tamper proof grub screw into position.

Follow the Commissioning Procedure given in 4.1.

Alarm levels are factory set as detailed in Table 3. To change either alarm level:

Switch off and isolate power to the detector requiring attention. Open the junction box of the detector by loosening the tamper proof grub screw and removing the lid by rotating it anti-clockwise.

Remove the amplifier from the terminal board. Ensure that the 'INHIBIT' link is set to 'N'.

Apply power to the detector and allow the detector to stabilise. Point above the word 'ZERO' will illuminate, the status LED will flash green and the display backlight will illuminate.

With clean air present at the detector, place the end of the 'CRO-Mag' key over the 'UP' or 'DOWN' arrow pads to make the display read the desired alarm level.

4. OPERATION

WARNING

Prior to carrying out any work ensure local regulations and site procedures are followed. Never attempt to open the detector or junction box when flammable gas is present. Ensure that the associated control panel is inhibited so as to prevent false alarms.

4.1 Commissioning Procedure

a Open the junction box of the detector by loosening the tamper proof grub screw and removing the lid by rotating it anti-clockwise. **b** Remove the amplifier and check that all electrical connections have been made and are correct as per Diagram 3. **c** Replace the amplifier and close the junction box ensuring that all screws have been re-fitted correctly. **d** Apply power to the detector. The status LED will show a steady green indicating normal operation. **e** Leave the detector to stabilise for 1-2 hours.

Zeroing the detector (ZERO Mode): Place the end of 'CRO-Mag' over the 'MENU'. Green Status LED will flash. Decimal point above 'ZERO' will illuminate. Display backlight will illuminate. Decimal point above 'INHIBIT' may flash if the option has been internally selected.

g With no flammable gas present at the detector, place the end of the 'CRO-Mag' key over the 'UP' or 'DOWN' arrow pads to make the display read zero.

Note: Oxygen detectors may be zeroed in fresh air.

11

Using a long instrument screwdriver, turn the relevant ALARM SET pot mounted on the terminal board (see Diagrams 1 & 2) to adjust the alarm level. Tripping of the ALARM 1 level relay is confirmed by the status LED turning a steady red. Tripping of the ALARM 2 level relay is confirmed by the Status LED flashing red.

Place the end of the 'CRO-Mag' pad to return the detector to normal operation, ie. No decimal points displayed, backlight off and the Status LED indicating steady green.

Check that the detector operates correctly by applying test gas as necessary.

Switch off and isolate power to the detector. Reset jumpers which may have been changed in step 'd' above. Replace the amplifier and close the junction box, ensuring that all screws have been re-fitted correctly.

Apply power to the detector and allow to stabilise before checking correct operation.

Re-calibrate if necessary as per section 4.1.

Area Classifications:-
Zone 0: An area classified, as Zone 0 will have ignitable concentrations of flammable gases, vapours or liquids present continuously or for long periods of time under normal operating conditions.
Zone 1: An area classified, as Zone 1 is likely to have ignitable concentrations of flammable gases, vapours or liquids present under normal operating conditions.
Zone 2: An area classified, as Zone 2 is not likely to have ignitable concentrations of flammable gases, vapours or liquids present under normal operating conditions.

conditions.
vapours or liquids present under normal operating conditions.
ignitable concentrations of flammable gases,
Locotte No. 243
Contact Crowcon
Calibration gas
Contact Crowcon

4.3 Sensor replacement/servicing of detectors

Calibrating the detector (CAL Mode):

h Place the end of the 'CRO-Mag' over the MENU pad. The decimal point above the word CAL will illuminate. Other indications remain unchanged.
i Apply calibration gas to the detector at a flow rate of 0.5 litres/min. (contact Crowcon for the supply of calibration gas.)

n Place the end of 'CRO-Mag' over the 'MENU' pad. All decimal points will disappear and the backlight will turn off. The green status LED will be on steadily (assuming no gas is present at the detector).
o The detector is now operational.

Returning to normal operation (NORMAL Mode): Place the end of 'CRO-Mag' over the 'MENU' pad. All decimal points will disappear and the backlight will turn off. The green status LED will be on steadily (assuming no gas is present at the detector).

4.2 Routine maintenance
The operational life of the sensors depends on the application, frequency and amount of gas being seen. Under normal conditions (6 months and re-calibrated as necessary following the steps given in 4.1.

Note: Always return the detector to NORMAL mode to avoid leaving the detector in a permanently inhibited state.

expectancy of the detectors are:
Hydrogen sulphide 24 months
Carbon monoxide 24 months
Ammonia 24 months
Oxygen 18 to 24 months

12

Please refer to the Sensor Replacement Label mounted on the outside of the 96HD housing for the correct replacement part number.

5. SPARE PARTS AND ACCESSORIES

Description	Part number
Complete 96HD sensor housing with sensor only	S01749**
96HD sensor housing complete with sensor	C01697
Replacement 'CRO-Mag'	C01697
Weatherproof Cap	C01442
Ceiling Mounting Bracket	M01401
Collector Cone	C01051
Sinter removal tool	M01614
Gasket 2	M04128
Gasket 1	M04452
M20 to 1/2 inch NPT adaptor	M02281
M20 to 1/2 inch NPT adaptor	M02125
Hydrogen sulphide	E01229
Carbon monoxide	E01344
Ammonia	E01752
Oxygen	E01488
(96HD/HS) S01750	E01229
(96HD/CO) S01751	E01344
(96HD/AM) S01752	E01752
(96HD/OX) S01753	E01488

Dimensions	Weight	Material
200 x 115 x 115 mm (8" x 4 1/2" x 4 1/2")	2.2 kg (4.8 lbs)	96HD sensor housing: 316 Stainless steel Junction box: Marine grade alloy
Temperature range	Humidity range	Ingress protection
-10-55°C (14-131°F)	0-99% RH, non condensing	IP65
Explosion protection	Approval codes	Safety Cert No.
Flameproof	Ex II 2 G EX d IIC T6 (+55°C)	Sira03ATEX1124
Standards	Zones	Gas groups
EN60079-0, EN60079-1: 2007, UL2279	Certified for use in Zone 1 or Zone 2 areas. (see area classifications section)	IIA, IIB, IIC
Operating voltage	Operating current	Detector output
12-30 Vdc	Relay version: 100 mA (maximum) Non-relay version: 50 mA (maximum)	4-20 mA source or sink selectable 0 mA = Fault 2 mA = Inhibit (4 mA option) 4-20 mA = Normal gas range 24 mA = Over range
Relays outputs	Contact rating	
2 x Alarm relays SPNO (SPNC option) 1 x Fault relay SPNC (SPNO option)	1 A @ 30 Vdc	

4.3 Sensor replacement/servicing of detectors

WARNING
This work should be carried out by Crowcon or an approved service centre unless suitable training has been received.

Txgard-Plus uses the 96HD sensor housing which allows the user to replace the sensors, gaskets and sinter if necessary. An exploded view of the 96HD sensor housing is given in Diagram 4. The following procedure may be followed when servicing a Txgard-Plus detector.

a Switch off and isolate power to the detector requiring attention. Open the detector junction box by loosening the tamper proof grub screw and removing the lid by rotating it anti-clockwise.

c Remove the amplifier.
d Disconnect the 3 sensor wires from the terminal board (terminals 4, 5 & 6).

Note: If a spare 96HD sensor housing complete with new sensor is available ignore steps f to k and return the old 96HD to Crowcon or an approved service centre for repair.

Open the 96HD sensor housing by removing the four Allen head screws from the Top Cap with a 3mm Allen key.

g Remove the sensor from the Top Cap PCB.
h Fit the replacement sensor checking the part number is correct. This part number is labelled on the main body of the detector.

i Inspect the gaskets and replace if necessary.
j The sinter assembly will only need to be replaced if it has become blocked by dust or oil. Such blockage causes the response time of the detector to be slow and may affect sensitivity. To remove the sinter a removal tool (Part # M01614) is required. Locotte No 243 must be used on the sinter assembly threads to maintain certification.

13

5. SPECIFICATION

Dimensions	Weight	Material
200 x 115 x 115 mm (8" x 4 1/2" x 4 1/2")	2.2 kg (4.8 lbs)	96HD sensor housing: 316 Stainless steel Junction box: Marine grade alloy
Temperature range	Humidity range	Ingress protection
-10-55°C (14-131°F)	0-99% RH, non condensing	IP65
Explosion protection	Approval codes	Safety Cert No.
Flameproof	Ex II 2 G EX d IIC T6 (+55°C)	Sira03ATEX1124
Standards	Zones	Gas groups
EN60079-0, EN60079-1: 2007, UL2279	Certified for use in Zone 1 or Zone 2 areas. (see area classifications section)	IIA, IIB, IIC
Operating voltage	Operating current	Detector output
12-30 Vdc	Relay version: 100 mA (maximum) Non-relay version: 50 mA (maximum)	4-20 mA source or sink selectable 0 mA = Fault 2 mA = Inhibit (4 mA option) 4-20 mA = Normal gas range 24 mA = Over range
Relays outputs	Contact rating	
2 x Alarm relays SPNO (SPNC option) 1 x Fault relay SPNC (SPNO option)	1 A @ 30 Vdc	

18